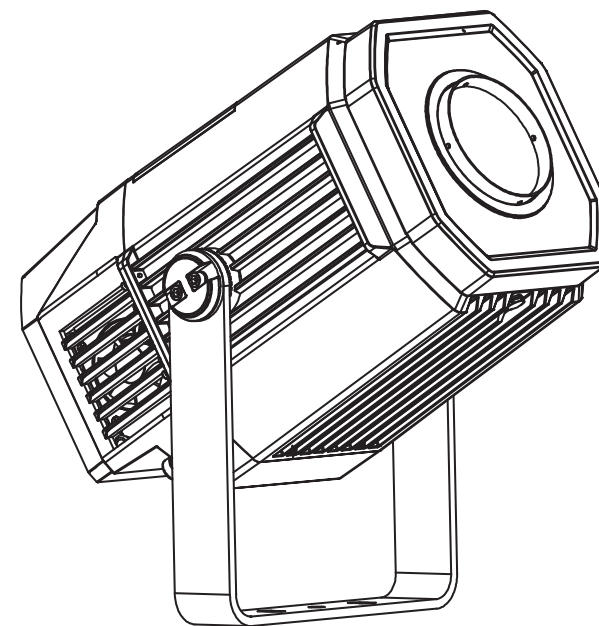




# AURORA XGP

Outdoor-rated IP65 LED Projector with Zoom  
and dual color wheels, rotating gobos,  
animation wheel, motorized focus,  
frost and prism



**TABLE OF CONTENTS****Safety**

- General instructions
- Warnings and installation precautions

**Introduction**

- Description
- Technical specifications
- Overview

**Installation**

- Mounting

**Functions and settings****Operation**

- Basic
- Menu structure
- Connecting
  - DMX address
  - DMX Mode
  - Wireless (optional)
- DMX Addressing
- Connection of the DMX line
- Construction of the DMX termination
- DMX Channel
- Rotating Gobos
- Setting
  - Advanced
- Information
- Scene Record & Edit

**Maintenance**

- Maintenance and cleaning the unit
- Trouble shooting

**Packing content**

- AURORA XGP
- Power extension cable
- Signal extension cable
- Mount bracket (2 pc.)
- User manual

**MAINTENANCE****MAINTENANCE AND CLEANING THE UNIT**

- During overhead installation, keep the area below the mounting location free of people.
- Switch off the unit, unplug the main cable and wait until the unit has cooled down.
- All screws used for installing the device and any of its parts should be tightly fastened and should not be corroded.
- Housings, fixations and installation spots (ceiling, trusses, suspensions) should be totally free from any deformation.
- The main cables must be in impeccable condition and should be replaced immediately even when a small problem is detected.
- It is recommended to clean the front at regular intervals, from impurities caused by dust, smoke, or other particles to ensure that the light is radiated at maximum brightness. For cleaning, disconnect the main plug from the socket. Use a soft, clean cloth moistened with a mild detergent. Then carefully wipe the part dry. For cleaning other housing parts use only a soft, clean cloth. Never use a liquid, it might penetrate the unit and cause damage to it.

**TROUBLESHOOTING**

Problems	Possible causes	Checks and remedies
Fixture does not light up	<ul style="list-style-type: none"> <li>• No mains supply</li> <li>• Dimmer fader set to 0</li> <li>• All color faders set to 0</li> <li>• Faulty LED</li> <li>• Faulty LED board</li> </ul>	<ul style="list-style-type: none"> <li>• Check the power supply voltage</li> <li>• Increase the value of the dimmer channels</li> <li>• Increase the value of the color channels</li> <li>• Replace the LED board</li> <li>• Replace the LED board</li> </ul>
General low light intensity	<ul style="list-style-type: none"> <li>• Dirty lens assembly</li> <li>• Misaligned lens assembly</li> </ul>	<ul style="list-style-type: none"> <li>• Clean the fixture regularly</li> <li>• Install lens assembly properly</li> </ul>
Fixture does not power up	<ul style="list-style-type: none"> <li>• No power</li> <li>• Loose or damaged power cord</li> <li>• Faulty internal power supply</li> </ul>	<ul style="list-style-type: none"> <li>• Check for power on power outlet</li> <li>• Check power cord</li> <li>• Replace internal power supply</li> </ul>
Fixture does not respond to DMX	<ul style="list-style-type: none"> <li>• Wrong DMX addressing</li> <li>• Damaged DMX cables</li> <li>• Signal interference</li> </ul>	<ul style="list-style-type: none"> <li>• Check control panel and unit addressing</li> <li>• Check DMX cables</li> <li>• Install terminator as suggested</li> </ul>

Contact an authorized dealer in case of technical problems that cannot be resolved with above methods.

### Factory Reload

Select this function to reset the unit to factory settings:

- Press the ENTER button to access the main menu.
- Press the UP/DOWN button to scroll the menu, select the **Advanced** icon, then press the ENTER button to enter the next menu.
- Press the UP/DOWN button to scroll through the menu, select **Factory Reload** and press the ENTER button to enter the next menu.
- Press the UP/DOWN button to select **YES** or **NO**, then press the ENTER button to confirm.

### FIXTURE INFORMATION

To view **all** the information on the device, proceed as follows:

- Press the ENTER button to access the main menu.
- Press the UP/DOWN button to scroll the menu, select the icon **Information**, then press the ENTER button to enter the next menu.
- Press the UP/DOWN button to scroll through the menu, then select one of the following information and press the ENTER button to display it.
  - **Fixture Time** - Through the **Fixture Time** function you can display the operating time of the projector.
  - **Temperature** - Through the **Temperature** function can be displayed the temperature inside the fixture, near the lamp. The temperature can be displayed in degrees Celsius or Fahrenheit.
  - **Fans Speed** - Through the **Fans Speed** function you can show on display the fan speed present near the lamp. Velocity is expressed in RPM (revolutions per minute).
  - **Software Version** - Through **Software Version** function you can display the currently installed software version.
  - **UID** - This option shows the RDM identification number.
- Press the MENU button repeatedly to exit the menu.

### SCENES, CHASES & SHOWS

The important concept for creating, editing and playing scenes, chases & shows:

- First, create and record scenes (program the desired scenes with a DMX controller and then use the Scenes Record function to record into memory)
- Second, create chases (add scenes to a chase using the available Steps 1 - 16)
- Third, create shows (select which chases to turn On or Off in order to build a show)




**WARNING!** Before carrying out any operations with the unit, carefully read this instruction manual and keep it with care for future reference. It contains important information about the installation, usage and maintenance of the unit.



## SAFETY

### General instruction

- The products referred to in this manual conform to the European Community Directives and are therefore marked with **CE**.
- The unit is supplied with hazardous network voltage (230V~). Leave servicing to skilled personnel only. Never make any modifications on the unit not described in this instruction manual, otherwise you will risk an electric shock.
- Connection must be made to a power supply system fitted with efficient earthing (Class I appliance according to standard EN 60598-1). It is, moreover, recommended to protect the supply lines of the units from indirect contact and/or shorting to earth by using appropriately sized residual current devices.
- The connection to the main network of electric distribution must be carried out by a qualified electrical installer. Check that the main frequency and voltage correspond to those for which the unit is designed as given on the electrical data label.
- This unit is not for home use, only professional applications.
- Never use the fixture under the following conditions:
  - in places subject to vibrations or bumps;
  - in places with a temperature of over 45 °C.
- Make certain that no inflammable liquids, water or metal objects enter the fixture.
- Do not dismantle or modify the fixture.
- All work must always be carried out by qualified technical personnel. Contact the nearest sales point for an inspection or contact the manufacturer directly.
- If the unit is to be put out of operation definitively, take it to a local recycling plant for a disposal which is not harmful to the environment. 

### Warnings and installation precautions

- If this device will be operated in any way different to the one described in this manual, it may suffer damage and the guarantee becomes void. Furthermore, any other operation may lead to dangers like short circuit, burns, electric shock, etc.
- Before starting any maintenance work or cleaning the projector, cut off power from the main supply.
- Always additionally secure the projector with the safety rope. When carrying out any work, always comply scrupulously with all the regulations (particularly regarding safety) currently in force in the country in which the fixture's being used.
- Install the fixture in a well ventilated place.
- Keep any inflammable material at a safe distance from the fixture.
- Shields, lenses or ultraviolet screens shall be changed if they have become damaged to such an extent that their effectiveness is impaired.
- The lamp (LED) shall be changed if it has become damaged or thermally deformed.
- Never look directly at the light beam. Please note that fast changes in lighting, e. g. flashing light, may trigger epileptic seizures in photosensitive persons or persons with epilepsy.
- Do not touch the product's housing when operating because it may be very hot.

The AURORA XGP is an outdoor-rated IP65 LED Projector with zoom and dual color wheels, rotating gobos, animation wheel, motorized focus, frost, and prism.

## FEATURES

- 10° - 40° motorized zoom
- Ultra-efficient proprietary optical system
- Indestructible weather-proof IP65 construction
- Extremely even spot with flawless field consistency
- Smooth gobo and effect rotation even at extremely slow speed
- Featuring dual color wheels, rotating gobos, animation wheel, motorized focus, frost, and prism
- Luscious gobo and animated effects
- Menu key lock and display invert / blackout
- Scene Record, Edit & Playback
- DMX control / W-DMX (optional)

## SPECIFICATIONS

Light Source:	250W 7350K LED
Beam Angle:	10° ~ 40°
Output:	14000 ~1150 LUX @ 5 meters
Mains:	100 - 240 VAC, 50/60 Hz
Consumption:	325W
Power connections:	IP65 connectors In/Out
Zoom:	10° ~ 40°
Color Wheel 1:	7 + Open
Color Wheel 2:	7 + Open
Gobos (Rotating):	7 + Open
Animation Wheel:	Independent, variable-speed, bi-directional
Focus:	Motorized
Strobe:	1 ~ 30Hz
Frost:	Independent, variable
Dimming:	0 ~ 100%
Prism:	3-facet, bi-directional variable-speed rotation
Control Protocol:	DMX, W-DMX (optional)
DMX channels:	12 / 14
Data connections:	IP65 3- or 5-pin XLR In/Out for DMX
Onboard menu:	OLED display with 4-button menu navigation
Material:	Diecast aluminum
Finish:	Matte gray
IP rating:	IP65
Cooling:	Variable speed IP65 fans
Max. ambient temp:	45°
Min. ambient temp:	-20°
Dimensions:	450 x 331 x 424 mm
Weight:	20 KG

## FIXTURE

**Fan Mode** - Select this function to set the fans operation mode (AUTO or HIGH)

**Temperature** - Select this function to set the temperature unit measurement shown on the display (°F or °C)

## AUTO AND MANUAL TEST:

With this menu, you can test all functions; either one by one, or automatically testing all.

## ADVANCED

### Reset Functions

You can start a preset program to restore the selected function:

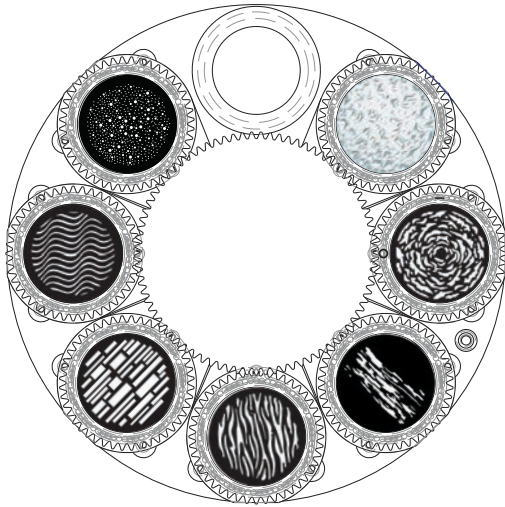
- Press the ENTER button to access the main menu.
- Press the UP/DOWN button to scroll the menu, select the **Advanced** icon, then press the ENTER button to enter the next menu.
- Press the UP/DOWN button to scroll through the menu, select **Reset** and press the ENTER button to enter the next menu.
- Press the UP/DOWN button to scroll through the menu, then select the function you wish to reset between **All, Color1, Color2, Gobo, Prism, Focus, Zoom, Frost, Effect**.
- Press the ENTER button to confirm your choice and wait for the recovery of the selected function.

### Adjust

Adjusts the lamp. This function allows you to modify all the parameters of the lamp: **Color1 Offset, Color2 Offset, Gobo Offset, RGobo Offset, Prism Offset, RPrism Offset, Focus Offset, Zoom Offset, Frost Offset, Effect Offset.**

- Press the ENTER button to access the main menu.
- Press the UP/DOWN button to scroll the menu, select the **Advanced** icon, then press the ENTER button to enter the next menu.
- Press the UP/DOWN button to scroll through the menu, select **Adjust** and press the ENTER button to enter the next menu.
- Press the UP/DOWN button to select one of the parameters and press ENTER to edit the value (000-255) through the UP/DOWN button.
- Press the ENTER button to confirm your choice and then press the MENU button repeatedly to exit the menu and save changes.

## ROTATING GOBOS



## SETTINGS

You can change the parameters for the device by following these steps:

## SCREEN (Display Options)

You can change the following parameters related to the display, following the same procedure:

- Press the ENTER button to access the main menu.
- Press the UP / DOWN keys to scroll the menu, select the **Set Up** icon, then press the ENTER button to enter the next menu.
- Press UP / DOWN to scroll through the menu, then select **Screen**, and press the ENTER button to enter the next menu.
- Press UP / DOWN to scroll through the menu, and then select one of the following settings for the display and press the ENTER key to display it.

**-Back Light** - Backlight display Auto Off. This feature allows you to automatically turn off the backlight after a specified time that you can set using the arrow buttons. To have the display always on select **Always On** or choose another value to turn off the display after the amount of time you choose.

**-Flip Display** - Orientation of the display. This function allows you to rotate the display 180° to get a better view of the display when the unit is hanging upside down. Select **YES** to activate or **NO** to disable this function.

**-Warn Cue** - Choose to display or hide warning / error codes (default = ON)

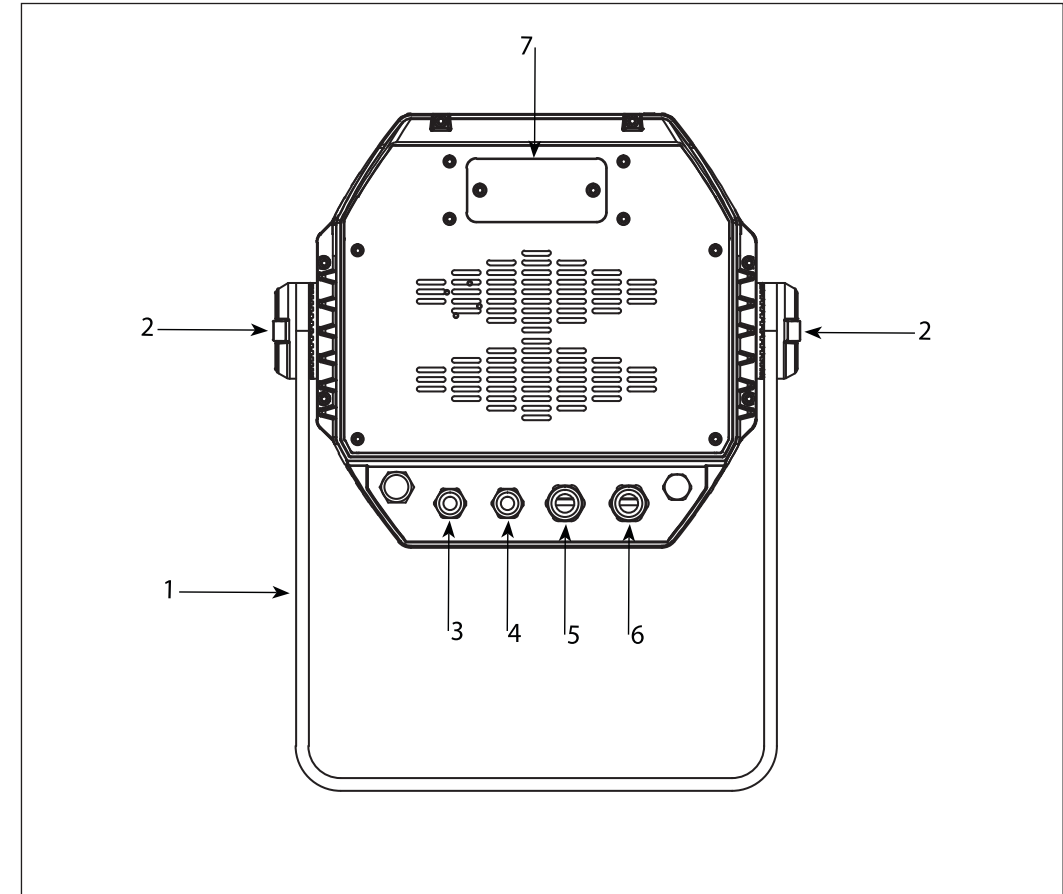
**-Key Lock** - Lock keys. With this function, you can lock the buttons on the control panel. If this function is activated, the keys are automatically locked. To disable or temporarily disable the key lock function, press the buttons in the following order to regain access to menu commands:

UP, DOWN, UP, DOWN, ENTER

Select **YES** to activate or **NO** to disable.

- Press the ENTER button to confirm your choice.
- Press the LEFT button repeatedly to exit the menu and save changes.

## OVERVIEW



1. MOUNTING BRACKET
2. LOCKING KNOB for the mounting bracket
3. DMX IN (3-pole XLR):  
1 = ground, 2 = DMX -, 3 = DMX +
4. DMX OUT (3-pole XLR):  
1 = ground, 2 = DMX -, 3 = DMX +
5. POWER IN: for connection to a socket (100-240V~/50-60Hz) via the supplied mains cable.
6. POWER OUT: connect to supply power to the next unit
7. CONTROL PANEL with OLED display and 4-Button menu navigation

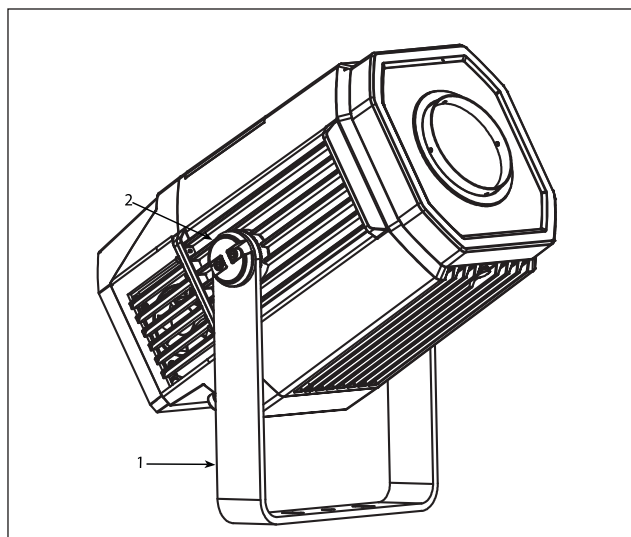
## INSTALLATION

### MOUNTING

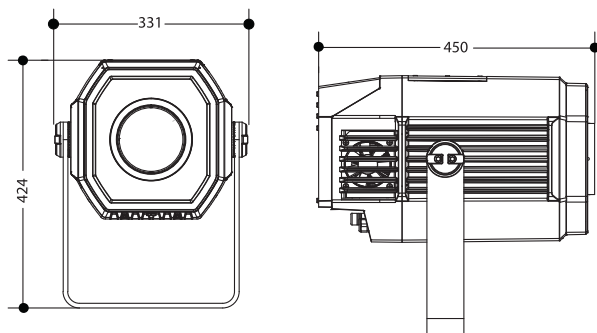
AURORA XGP may be mounted on an even solid surface or suspended from a truss or pipe. When mounted overhead, mounting clamps should be of the proper duty rating and the supporting material must be capable of safely securing a weight 10 times the unit's weight.

When carrying out any installation, always comply scrupulously with all the regulations (particularly regarding safety) currently in force in the country in which the fixture's being used.

- Install the projector at a suitable location by means of the mounting bracket (1).
- Always additionally secure the projector with the safety rope from falling down. For this purpose, fasten the safety rope at a suitable position so that the maximum fall of the projector will be 20 cm.
- Adjust the projector and use the knob (2) to slightly release or tighten the locking mechanism of the bracket if is necessary.



### DIMENSIONS



## DMX CONTROL

8	9	8	Frost	000-255	Frost 0->100%
9	10	9	Focus	000-255	Focus
10	11	10	Zoom	000-255	Zoom
11	/		Animation Wheel	000-003	Open/No Function
				004-127	Forward stop to fastest
				128-131	Stop
				132-255	Reverse stop to fastest
/	12	11	Animation	000-007	Effect Off
				008-255	Linear insertion
/	13	12	Animation Rotation	000-191	Positioning 0°-360°
				192-221	Slowest to fastest (Forward Spin)
				222-225	Stop
12	14		Control	226-255	Fastest to Slowest (Reverse Spin)
				000-059	No function
				060-069	Enable blackout while color change (Hold 3 Second)
				070-079	Disable blackout while color change (Hold 3 Second)
				080-089	Enable blackout while gobo change (Hold 3 Second)
				090-099	Disable blackout while gobo change (Hold 3 Second)
				100-109	Color1 Reset (Hold 3 Second)
				110-119	Color2 Reset (Hold 3 Second)
				120-129	Gobo1 Reset (Hold 3 Second)
				130-139	Prism Reset (Hold 3 Second)
				140-149	Focus Reset (Hold 3 Second)
				150-159	Zoom Reset (Hold 3 Second)
				160-169	Frost Reset (Hold 3 Second)
				170-179	Effect Reset (Hold 3 Second)
				180-199	No function
				200-209	Reset all (Hold 3 Second)
				210-255	No function

## DMX CONTROL

5	5	5	Rotating gobo wheel	000-005	Open
				006-010	Position 1
				011-015	Position 2
				016-020	Position 3
				021-025	Position 4
				026-030	Position 5
				031-035	Position 6
				036-040	Position 7
				041-055	Position 1 Shaking slow to fast
				056-070	Position 2 Shaking slow to fast
				071-085	Position 3 Shaking slow to fast
				086-100	Position 4 Shaking slow to fast
				101-115	Position 5 Shaking slow to fast
				116-130	Position 6 Shaking slow to fast
				131-145	Position 7 Shaking slow to fast
				6	6
192-221	Fast to Slow				
222-225	Stop				
226-255	Slow to Fast				
000-000	Prism Off				
7		7	Prism Rot	001-127	Index
				128-189	Fast to Slow
				190-193	Stop
				194-255	Slow to Fast
				000-020	Prism Off
	7		Prism	021-127	Indexed
				128-255	Rotation
				000-255	Index
	8		RPrism	000-127	Fast to Slow
				128	Stop
				129-255	Slow to Fast

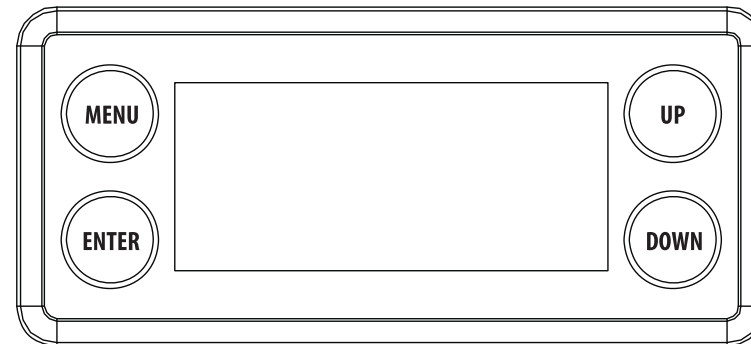
## FUNCTIONS AND SETTINGS

### OPERATION

Connect the supplied main cable to a socket (100-240V~/50-60Hz).

### BASIC

Access control panel functions using the four panel buttons located directly underneath the LED Display



KEY LOCK PASSWORD =

UP, DOWN, UP, DOWN, ENTER

### MENU STRUCTURE

CONNECT	DMX Address	1-512		Default: 1	
	DMX Mode	12CH			Default: 12CH
		14CH			

## MENU STRUCTURE (cont'd)

SETUP	Screen	Back Light	On	Default: On
			10S	
			20S	
			30S	
		Flip Display	No	Default: No
			Yes	
		Warn Cue	Off	Default: On
			On	
	Key Lock	No	Default: No	
		Yes		
	Fixture	Fan Mode	Auto	Default: Auto
			High	
		Temperature unit	°C	Default: °C
	°F			
	Auto Test	Auto Test ...		
	Manual Test	Shutter	000-255	Default : Dimmer=255 Shutter = 255
		Dimmer	000-255	
		Color1	000-255	
		Color2	000-255	
		Gobo	000-255	
RGobo		000-255		
PrismRot		000-255		
Frost		000-255		
Focus		000-255		
Zoom		000-255		
Animation		000-255		
RAnimation		000-255		

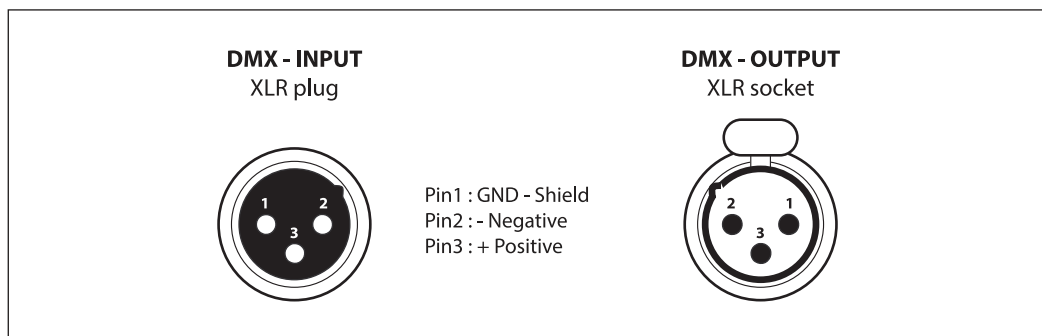
## DMX CONTROL

12CH	14CH	Scenes Record	Function	Value	Percent/Setting
1	1	1	Shutter	000-031	Shutter closed
				032-063	No function (shutter open)
				064-095	Shutter effect slow to fast
				096-127	No function (shutter open)
				128-159	Pulse-effect in sequences
				160-191	No function (shutter open)
				192-223	Random Shutter effect slow to fast
				224-255	No function (shutter open)
2	2	2	Dimmer	000-255	0~100%
3	3	3	Color1	000-003	Open
				004-007	Position 1
				008-011	Position 2
				012-015	Position 3
				016-019	Position 4
				020-023	Position 5
				024-027	Position 6
				028-031	Position 7
				032-035	Position 8
				036-039	Position 9
				040-043	Position 10
				044-047	Position 11
				048-051	Position 12
				052-055	Position 13
				056-059	Position 14
				060-063	Position 15
064-094	Fast to Slow (Forward Spin)				
095-096	Stop (Stop Rotation)				
097-127	Slow to Fast (Reverse Spin)				
128-255	Positing from Position 1 to Position 15				
4	4	4	Color2	000-003	Open
				004-007	Position 1
				008-011	Position 2
				012-015	Position 3
				016-019	Position 4
				020-023	Position 5
				024-027	Position 6
				028-031	Position 7
				032-035	Position 8
				036-039	Position 9
				040-043	Position 10
				044-047	Position 11
				048-051	Position 12
				052-055	Position 13
				056-059	Position 14
				060-063	Position 15
064-094	Fast to Slow (Forward Spin)				
095-096	Stop (Stop Rotation)				
097-127	Slow to Fast (Reverse Spin)				
128-255	Positing from Position 1 to Position 15				

## CONNECTION OF THE DMX LINE

DMX connection employs standard XLR connectors. Use shielded pair-twisted cables with 120Ω impedance and low capacity.

The following diagram shows the connection mode:



### ATTENTION

The screened parts of the cable (sleeve) must never be connected to the system's earth, as this would cause faulty fixture and controller operation.

Over long runs, it may be necessary to install a DMX booster to amplify the DMX signal.

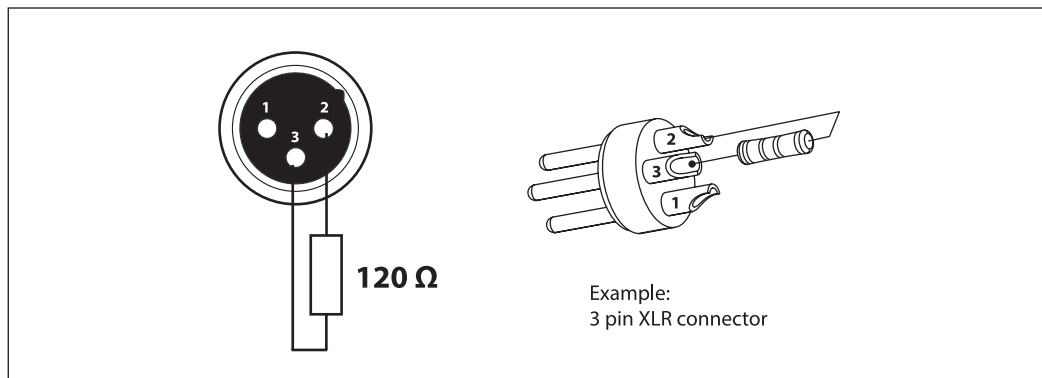
For those connections the use of balanced microphone cable is not recommended because it cannot transmit control DMX data reliably.

- Connect the controller DMX input to the DMX output of the first unit.
- Connect the DMX output to the DMX input of the following unit. Connect again the output to the input of the following unit until all the units are connected in chain.
- When the signal cable has to run longer distance is recommended to insert a DMX termination on the last unit.

## CONSTRUCTION OF THE DMX TERMINATION

The termination avoids the risk of DMX 512 signals being reflected back along the cable when they reach the end of the line: under certain conditions and with certain cable lengths, this could cause them to cancel the original signals.

The termination is prepared by soldering a 120Ω 1/4 W resistor between pins 2 and 3 of the 5-pin male XLR connector, as shown in figure.



## MENU STRUCTURE (cont'd)

ADVANCED	Reset	All	No-Yes	
		Color 1	No-Yes	
		Color 2	No-Yes	
		Gobo	No-Yes	
		Prism	No-Yes	
		Frost	No-Yes	
		Focus	No-Yes	
		Zoom	No-Yes	
	Adjust	Animation	No-Yes	
		Color1 Offset	000-255	
		Color2 Offset	000-255	
		Gobo Offset	000-255	
		RGobo Offset	000-255	
		Prism Offset	000-255	
		RPrism Offset	000-255	
		Frost Offset	000-255	
		Focus Offset	000-255	
		Zoom Offset	000-255	
		Animation Offset	000-255	
		Factory Reload	No	
			Yes	

## MENU STRUCTURE (Fixture Information)

INFORMATION	Fixture Time	0-9999	
	Temperature	58 °C	
	Fans Speed	**%	
	Software Version	DISP- V1.0 CTR1-XY- V1.0 CTR2-MOTOR-V1.0 CTR3-MOTOR-V1.0	
	UID	030F*****	

## MENU STRUCTURE (Play, Edit & Record Shows, Chases & Scenes)

STAND ALONE	Play	Off		Default:Off	
		Show	Show 1 ... Show 3	Default: Show 1	
		Chase	Chase 1 ... Chase 8	Default: Chase 1	
		Scene	Scene 1 ... Scene 32	Default: Scene 1	
	Edit Show	Show 1 ... 3	Chase 1 (On-Off) - ... - Chase 8 (On-Off)	Default: Off	
	Edit Chase	Chase 1 ... 8	Steps 1-16	Off - Scenes 1-32	Default: Off
	Edit Scenes	Edit Scenes 01 ... 32	Program scenes (shutter, dimmer, colors, gobo, etc.)		Default:
	Scenes Record	Scenes 01 ... 32	DMX - Scenes Record		
	Scenes Time	0-99.9S			Default: 1S
	Chase Time	0-99.9S			Default: 1S

## CONNECT

Several units may be interconnected in order to control all further slave units by the master unit.

1. Connect the DMX OUT of the master unit via 3/5-pole XLR cable to the DMX IN of the first slave unit.
2. Connect the DMX OUT of the first slave unit to the DMX IN of the second slave unit, etc.

## DMX ADDRESSING

To enter the DMX mode, follow these steps:

- Press the ENTER button to access the main menu.
- Press the UP/DOWN button to scroll the menu, select the **Connect** icon, then press the ENTER button
- Press the UP/DOWN button to scroll through the menu, select the **Address** and press the ENTER key.
- Press the arrow keys to select the desired value (**001-512**).
- Press the ENTER key to confirm the setting.

## DMX MODE

AURORA XGP has two DMX modes (12- or 14-channels):

- Press the ENTER button to access the main menu.
- Press the UP/DOWN button to scroll the menu, select the **Connect** icon, then press the ENTER button.
- Press the UP/DOWN button to scroll through the menu, select **DMX Mode** and press the ENTER button.
- Press the UP/DOWN button to scroll through the menu, select **Mode** and press ENTER to confirm
- Use the UP/DOWN button to select the desired DMX channel configuration (**12CH, 14CH**) then press ENTER to confirm the chosen mode.
- Press the LEFT button repeatedly to exit the menu and save changes.

## WIRELESS (OPTIONAL - not available on all units)

To enable wireless control mode, proceed as follows:

- Press the ENTER button to access the main menu.
- Press the UP/DOWN button to scroll the menu, select the **Connect** icon, then press the ENTER button to enter the next menu **Wireless**.
- Press the UP/DOWN button to scroll through the menu, select **Receive on/off** and press ENTER to activate the wireless mode.
- Press the UP/DOWN button to scroll through the menu, select **Reset Connect** to reset the wireless connection of the unit.

## DMX ADDRESSING

To operate AURORA XGP with a light controller, set the DMX starting address of the first fixture, and proceed to calculate and assign DMX addresses for subsequent AURORA XGP fixtures.

An example of an installation of four units with the first unit set to starting address 001 is shown below:

Number of DMX channels	Start address unit No. 1	DMX Address occupied	Next possible start address for unit No. 2	Next possible start address for unit No. 3	Next possible start address for unit No. 4
12	1	1-12	13	25	37
14	1	1-14	15	29	43

