

**AURORA XGP 70**

USER MANUAL

**TABLE OF CONTENTS**

**Safety**

General instructions  
Warnings and installation precautions

**Introduction**

Features  
Specifications

**Maintenance**

Cleaning the unit  
Fuse replacement  
Trouble shooting

**Dimensions**

**Overview**

**Installation**

**Connections**

**Color Wheel**

**Gobo Wheel**

**Photometrics**

**DMX Control**

MENU  
DMX channels

				132-139	Scene 17	
				140-146	Scene 18	
				147-154	Scene 19	
				155-162	Scene 20	
				163-170	Scene 21	
				171-177	Scene 22	
				178-185	Scene 23	
				186-193	Scene 24	
				194-200	Scene 25	
				201-208	Scene 26	
				209-216	Scene 27	
				217-224	Scene 28	
				225-231	Scene 29	
				232-239	Scene 30	
				240-247	Scene 31	
				248-255	Scene 32	
-	14	/	Record Scenes	000-010 011-128 129-255	No Function Edit Scene Mode Record Scene Mode (Hold 3S and Save )	Only be valid when CH13 is set to 8-255

5	6	5	Gobo Rotation	000-191 192-221 222-225 226-255	Positioning from 0-360 degrees(Indexing) Fast to Slow Stop Slow to Fast	
6	7	6	Focus	000-255	Focus	
-	8	-	Focus Fine	000-255	Focus Fine	
7	9	7	Zoom	000-255	Zoom	
-	10	-	Zoom Fine	000-255	Zoom Fine	
8	-	-	Control	000-059 060-069 070-079 080-089 090-099 100-109 110-119 120-129 130-139 140-199 200-209 210-255	No function Enable blackout while color change (Hold 3 Second) Disable blackout while color change (Hold 3 Second) Enable blackout while gobo change (Hold 3 Second) Disable blackout while gobo change (Hold 3 Second) Color Reset (Hold 3 Second) Gobo Reset (Hold 3 Second) Focus Reset (Hold 3 Second) Zoom Reset (Hold 3 Second) No function Reset all (Hold 3 Second) No function	
-	11		Show	000-063 064-127 128-191 192-255	No Function Show 1 Show 2 Show 3	
-	12		Chase	000-028 029-056 057-085 086-113 114-141 142-170 171-198 199-226 227-255	No Function Chase 1 Chase 2 Chase 3 Chase 4 Chase 5 Chase 6 Chase 7 Chase 8	
-	13		Scene	000-007 008-015 016-023 024-030 031-038 039-046 047-054 055-061 062-069 070-077 078-085 086-092 093-100 101-108 109-115 116-123 124-131	No Function Scene 1 Scene 2 Scene 3 Scene 4 Scene 5 Scene 6 Scene 7 Scene 8 Scene 9 Scene 10 Scene 11 Scene 12 Scene 13 Scene 14 Scene 15 Scene 16	



**WARNING!** Before carrying out any operations with the unit, carefully read this instruction manual and keep it with care for future reference. It contains important information about the installation, usage and maintenance of the unit.



## SAFETY

### General instruction

- The products referred to in this manual conform to the European Community Directives and are therefore marked with CE.
- The unit is supplied with hazardous network voltage (230V~). Leave serving to skilled personnel only. Never make any modifications on the unit not described in this instruction manual, otherwise you will risk an electric shock.
- Connection must be made to power supply system fitted with efficient earthing (Class I appliance according to standard EN60598-1). It is moreover, recommended to protect the supply lines of the units from indirect contact and/or shorting to earth by using appropriately sized residual current devices.
- The connection to the main network of electric distribution must be carried out by a qualified electrical installer. Check that the main frequency and voltage correspond to those for which the unit is designed as given on the electrical data label.
- This unit is not for home use, only professional applications.
- Never use the fixture under the following conditions:
  - in places subject to vibrations or bumps;
  - in places with a temperature of over 40 °C.
- Make certain that no inflammable liquids, water or metal objects enter the fixture,
- Do not dismantle or modify the fixture.
- All work must always be carried out by qualified technical personnel. Contact the nearest sales point for an inspection or contact the manufacturer directly.
- If the unit is to be put out of operation definitively, take it to a local recycling plant for a disposal which is not harmful to the environment.



### Warnings and installation precautions

- If this device will be operated in any way different to the one described in this manual, it may suffer damage and the guarantee becomes void. Furthermore, any operation may lead to dangers like short circuit, burns, electric shock, etc.
- Before starting any maintenance work or cleaning the projector, cut off power from the main supply.
- Always additionally secure the projector with the safety rope. When carrying out any work, always comply scrupulously with all the regulations (particularly regarding safety) currently in force in the country in which the fixture's being used.
- Install the fixture in a well ventilated place.
- Keep any inflammable materials at a safe distance from the fixture.
- Shields, lenses or ultraviolet screens shall be changed if they have become damaged to such an extent that their effectiveness is impaired.
- The lamp (LED) shall be changed if it has become damaged or thermally deformed.
- Never look directly at the light beam. Please note that fast changes in lighting, e.g. flashing light, may trigger epileptic seizures in photosensitive persons or persons with epilepsy.
- Do not touch the product's housing when operating because it may be very hot.

## INTRODUCTION

The Aurora XGP 70 is an outdoor-rated IP66 LED projector with motorized zoom and focus, strobe, linear dimming.

### FEATURES

- 15°-44° motorized zoom
- Ultra-efficient proprietary optical system
- Independent color wheel with 7 filters for vibrant color mixes
- 7 interchangeable indexable rotating gobo
- Scene record available via onboard menu and DMX
- IP66 protective grade suitable for outdoor permanent installation

### SPECIFICATIONS

Light Source:	70W white LED with over 60k hrs lifespan
Beam Angle:	15°~44°
Output:	2861lm(14°)~2861lm(44°)
Color temperature:	7700K
CRI:	70
Zoom:	Motorized
Color wheel:	7+open
Gobos(Rotating):	7+open
Focus:	Motorized
Strobe:	1-30Hz, motorized
Dimming:	0~100% linear dimming
Mains:	100~240VAC, 50/60Hz
Consumption:	91.3W/230V AC, 89.4W/120V AC
Power connections:	IP65 power IN/OUT
Data connections:	IP65 DMX IN/OUT
Power linking:	13pcs@120V, 23pcs@230V
Data linking:	up to 25pcs
Control protocol:	DMX512/RDM/W-DMX(optional)
DMX channels:	8CH/14CH
Onboard menu:	OLED
Materials:	Aluminum
Finish:	Cool gray 6C
IP rating:	IP66
Dimension:	245*250.3*257.5mm
Weight:	9.5KG

8CH	14CH	Record Scenes	Function	Value	Percent/Setting	Remark
1	1	1	Shutter	000-031	Shutter closed	
				032-063	No function (shutter open)	
				064-095	Shutter effect slow to fast	
				096-127	No function (shutter open)	
				128-159	Pulse-effect in sequences	
				160-191	No function (shutter open)	
				192-223	Random Shutter effect slow to fast	
224-255	No function (shutter open)					
2	2	2	Dimmer	000-255	0~100%	
-	3	-	Dimmer Fine	000-255	0~100%	
3	4	3	Color	000-003	Open	
				004-007	Open + Color 1	
				008-011	Color 1	
				012-015	Color 1 + Color 2	
				016-019	Color 2	
				020-023	Color 2 + Color 3	
				024-027	Color 3	
				028-031	Color 3 + Color 4	
				032-035	Color 4	
				036-039	Color 4 + Color 5	
				040-043	Color 5	
				044-047	Color 5 + Color 6	
				048-051	Color 6	
				052-055	Color 6 + Color 7	
				056-059	Color 7	
				060-063	Color 7 + Open	
				064-094	Fast to Slow(Forward Spin)	
095-096	Stop (Stop Rotation)					
097-127	Slow to Fast(Revers Spin)					
128-255	Positing from Open to Color 7					
4	5	4	Rotating gobo wheel	000-005	Open	
				006-010	Gobo 1	
				011-015	Gobo 2	
				016-020	Gobo 3	
				021-025	Gobo 4	
				026-030	Gobo 5	
				031-035	Gobo 6	
				036-040	Gobo 7	
				041-055	Gobo 1 Shaking slow to fast	
				056-070	Gobo 2 Shaking slow to fast	
				071-085	Gobo 3 Shaking slow to fast	
				086-100	Gobo 4 Shaking slow to fast	
				101-115	Gobo 5 Shaking slow to fast	
				116-130	Gobo 6 Shaking slow to fast	
				131-145	Gobo 7 Shaking slow to fast	
				146-199	Fast to Slow(Forward Spin)	
				200-201	Stop (Stop Rotation)	
202-255	Slow to Fast(Revers Spin)					

## MAINTENANCE

### MAINTENANCE AND CLEANING THE UNIT

- Make sure the area below the installation place is free from unwanted person during setup.
- Switch off the unit,unplug the main cable and wait until the unit has cooled down.
- All screws used for installing the device and any of its parts should be tightly fastened and should not be corroded.
- Housings,fixations and installation spots (ceiling,trusses,suspensions) should be totally free from any deformation.
- The main cables must be in impeccable condition and should be replaced immediately even when a small problem is detected.
- It is recommended to clean the front at regular intervals,from impurities caused by dust,smoke,or other particles to ensure that the ligh is radiated at maximum brightness.For cleaning,disconnect the main plug from the socket.Use a soft,clean cloth moistened with a mild detergent.Then carefully wipe the party dry. For cleaning other housing parts use only a soft,clean cloth.Never use a liquid,it might perentrate the unit and cause damage to it.

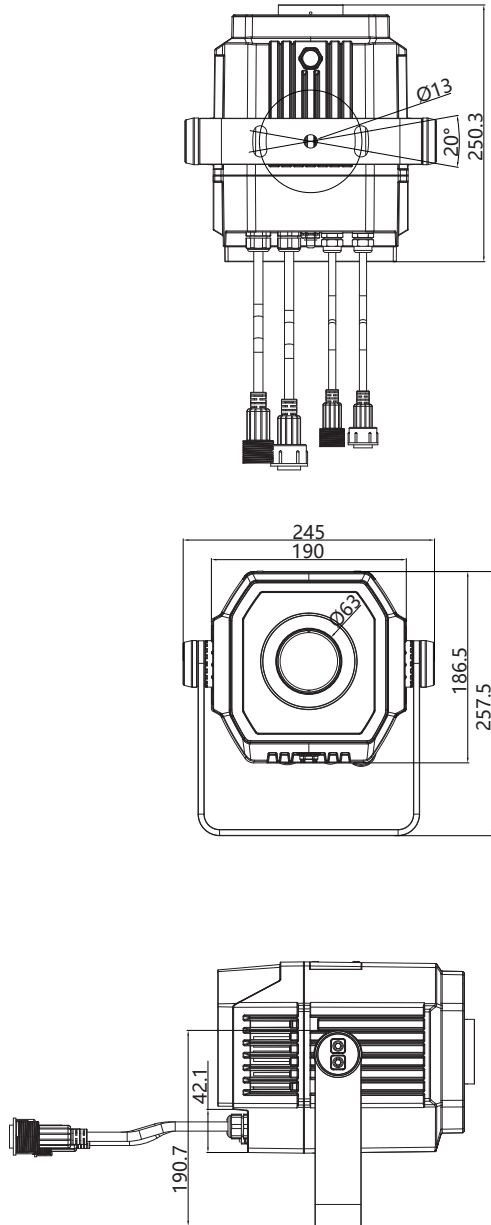
### TROUBLESHOOTING

Problems	Possible causes	Checks and remedies
Fixture does not light up	<ul style="list-style-type: none"> <li>• No mains supply</li> <li>• Dimmer fader set to 0</li> <li>• Faulty LED</li> <li>• Faulty LED board</li> </ul>	<ul style="list-style-type: none"> <li>• Check the power supply voltage</li> <li>• Increase the value of the dimmer chann●</li> <li>• Replace the LED board</li> <li>• Replace the LED board</li> </ul>
General low light intensity	<ul style="list-style-type: none"> <li>• Dirty lens assembly</li> <li>• Misaligned lens assembly</li> </ul>	<ul style="list-style-type: none"> <li>• Clean the fixture regularly</li> <li>• Install lens assembly properly</li> </ul>
Fixture does not power up	<ul style="list-style-type: none"> <li>• No power</li> <li>• Loose or damaged power cord</li> <li>• Faulty internal power supply</li> </ul>	<ul style="list-style-type: none"> <li>• Check for power on power outlet</li> <li>• Check power cord</li> <li>• Replace internal power supply</li> </ul>

Scenes Record	Scenes 01 Scenes 02 Scenes 03 ..... Scenes 30 Scenes 31 Scenes 32	DMX - Scenes Record		
Slave Setup	Edit Scenes 01 Edit Scenes 02 Edit Scenes 03 ..... Edit Scenes 30 Edit Scenes 31 Edit Scenes 32	RGobo/ Focus/Zoom RGobo/ Focus/Zoom RGobo/ Focus/Zoom ..... RGobo/ Focus/Zoom RGobo/ Focus/Zoom RGobo/ Focus/Zoom		Default: RGobo: 0 Focus: 128 Zoom: 128
Scenes Time	Scenes 01Time Scenes 02Time Scenes 03Time ..... Scenes 01Time Scenes 02Time Scenes 03Time	Fade In Time	0000:0 - 3600:0	Default: 1S
		Hold Time	0000:0 - 3600:0	
		Fade Out Time	0000:0 - 3600:0	
Chase Time	Chase 1 Time Chase 2 Time Chase 3 Time Chase 4 Time Chase 5 Time Chase 6 Time Chase 7 Time Chase 8 Time	0-3600S 0-3600S 0-3600S 0-3600S 0-3600S 0-3600S 0-3600S 0-3600S		Default: 1S
Move blackout	Scenes 01 Scenes 02 Scenes 03 ..... Scenes 30 Scenes 31 Scenes 32	On/Off		Default: No

Contact an authorized service center in case of technical problems or not reported in th table can not be resolved by the procedure given in the table.

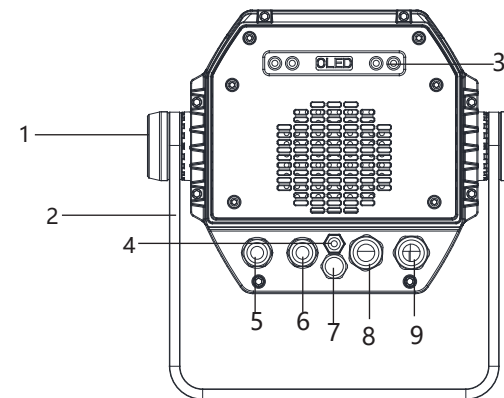
**DIMENSION**



4	INFORMATION	Fixture Time	0-9999		Default: 0	
		Temperature	58 °C			
		Fans Speed	**%			
		Software Version	DISP: V1.0 CTR:V1.0			
		UID	030F05C0			
5	STAND ALONE	Play	Off	Default:Off		
			Show	Show 1 ... Show 3	Default: Show 1	
			Chase	Chase 1 ... Chase 8	Default:Chase 1	
			Scene	Scene 1 ... Scene 32	Default:Scene 1	
		Edit Show	Show 1 Show 2 Show 3	Chase 1 (On-Off) - ... - Chase 8 (On-Off) Chase 1 (On-Off) - ... - Chase 8 (On-Off) Chase 1 (On-Off) - ... - Chase 8 (On-Off)		Default: Off
		Edit Chase	Chase 1	Step 1-16	Off - Scenes1-32	Default: Off
			Chase 2	Step 1-16	Off - Scenes1-32	
			Chase 3	Step 1-16	Off - Scenes1-32	
			Chase 4	Step 1-16	Off - Scenes1-32	
			Chase 5	Step 1-16	Off - Scenes1-32	
Chase 6	Step 1-16		Off - Scenes1-32			
Chase 7	Step 1-16		Off - Scenes1-32			
Chase 8	Step 1-16		Off - Scenes1-32			
Edit Scenes	Edit Scenes 01 Edit Scenes 02 Edit Scenes 03 ..... Edit Scenes 30 Edit Scenes 31 Edit Scenes 32		Shutte/Dimmer/Color/Go bo/RGobo/Focus/Zoom Shutte/Dimmer/Color/Go bo/RGobo/Focus/Zoom Shutte/Dimmer/Color/Go bo/RGobo/Focus/Zoom ... Shutte/Dimmer/Color/Go bo/RGobo/Focus/Zoom Shutte/Dimmer/Color/Go bo/RGobo/Focus/Zoom	Default: Dimmer: 255 Shutter: 255 Focus: 128 Zoom: 128 All others at 0		
			off Scenes 01 Scenes 02 Scenes 03 ..... Scenes 30 Scenes 31 Scenes 32			

Menu(-)						
	Main Menu	Menu level 2	Menu level 3	Menu level4	Remark	
1	CONNECT	DMX Address	1-512		Default: 1	
			DMX Mode	8CH		Default: 8CH
		14CH				
		Wireless	On/Off	On		Default :Off
				Off		
Reset	No			Default :No		
Yes						
WDMX To DMX	NO		Default :No			
Yes						
2	SETUP	Screen	Back Light	On	Default: On	
				10S		
				20S		
				30S		
			Flip Display	No	Default: No	
		Yes				
		Warn CueWarn	Off	Default:On		
			On			
		Key Lock	No	Default: No		
			Yes			
		Fixture	Fan Mode	Auto	Default: Auto	
				High		
				Silent		
		Temp.unit	°C	Default: °C		
			°F			
		Auto Test	Auto Test ...			
		Manual Test		Shutter	000-255	Default : Dimmer=255 Shutter = 255
Dimmer	000-255					
Color	000-255					
Gobo	000-255					
RGobo	000-255					
Focus	000-255					
Zoom	000-255					
Reset		All				
		Color				
		Gobo				
		Focus				
		Zoom				
Adjust		Color Offset	000-255			
		Gobo Offset	000-255			
		RGobo Offset	000-255			
		Focus Offset	000-255			
		Zoom Offset	000-255			
Factory Reload		No				
		Yes				

OVERIEW



- 1.HEXAGONAL HEAD SCREW
- 2.HANGING BRACKET
- 3.DISPLAY
- 4.GORE VALVE
- 5/6.DMX IN/OUT
- 7.ANTENNA
- 8/9.POWER IN/OUT



BASIC FUNCTIONS AND OPERATION

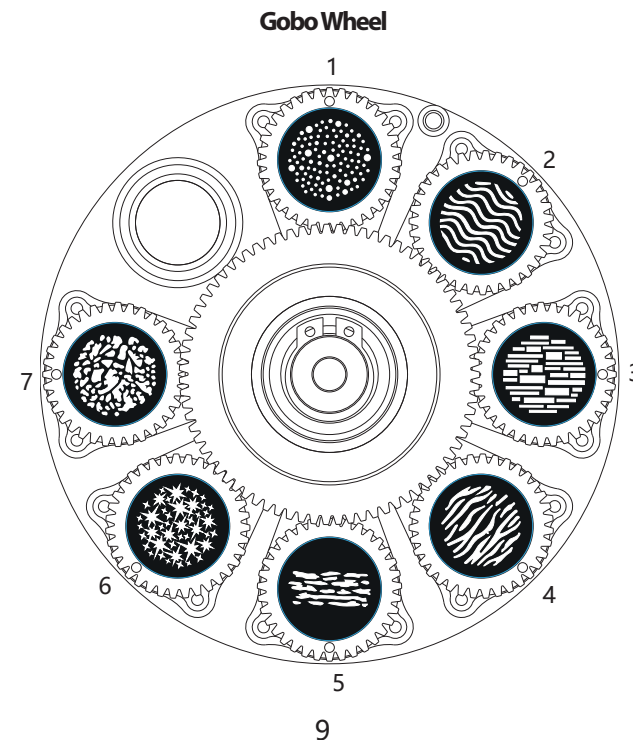
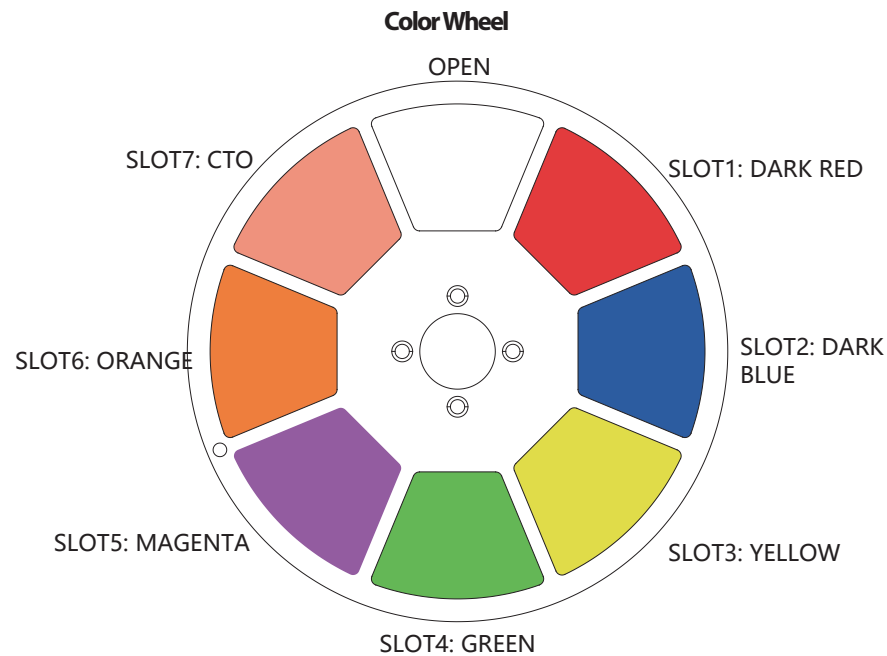
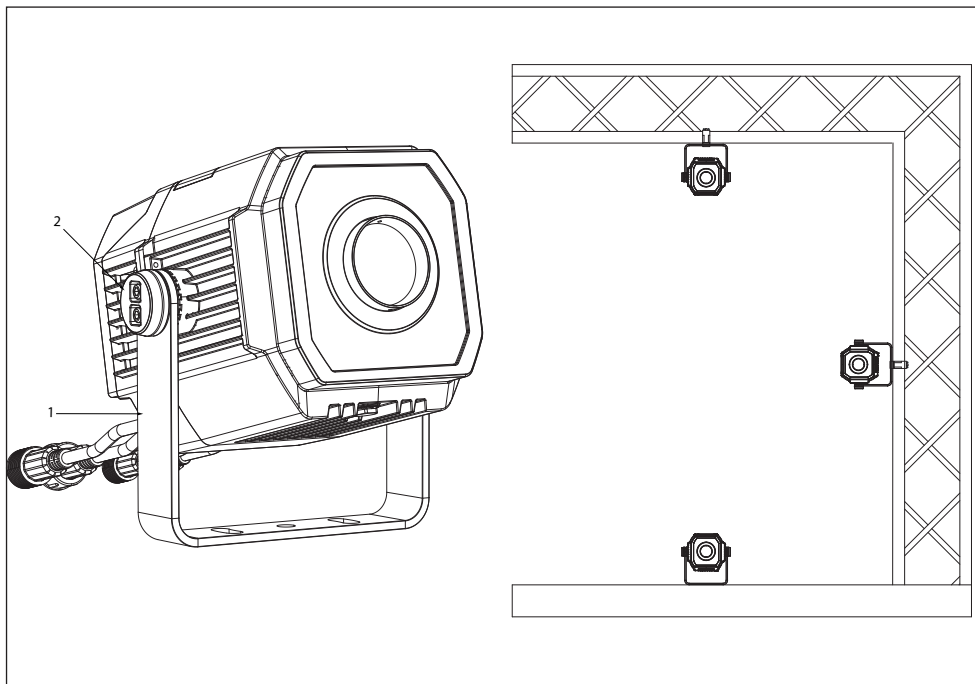
ENTER

UP	DOWN	MODE	Confirm displayed
Increase the displayed value, or scroll thru previous menu items	Decrease the displayed value, or scroll thru next menu items	Display main menu, or return to higher menu levels	values, or activate displayed functions, or enter submenus

## INSTALLATION

Aurora XGP 70 may be set up on a solid and even surface. The unit can also be mounted upside down to a cross arm. For fixing, stable mounting clips are required. The mounting place must be of sufficient stability and be able to support a weight of 10 times of the unit's weight. When carrying out any installation, always comply scrupulously with all the regulations (particularly regarding safety) currently in force in the country in which the fixture's being used.

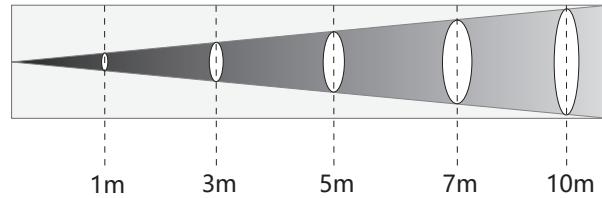
- Install the projector at a suitable location by means of the mounting bracket (1).
- Always additionally secure the projector with the safety rope from falling down. For this purpose, fasten the safety rope at a suitable position so that the maximum fall of the projector will be 20cm.
- Adjust the projector and use the knob (2) to slightly release or tighten the locking mechanism of the bracket if is necessary.



**Photometrics**

Beam Angle: 14°  
FULL on

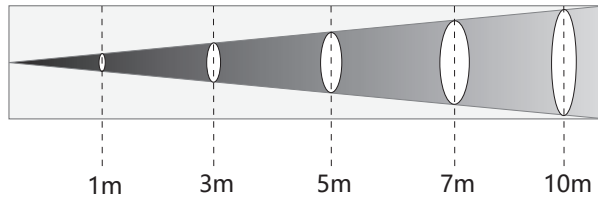
Project Distance(m)  
luminance(lux)



Luminance(Lux)	Diameter	ø25.2cm	ø75.6cm	ø126cm	ø176.4cm	ø252cm
14°	Distance	1m	3m	5m	7m	10m
	CW	53550	5950	2142	1092	535.5

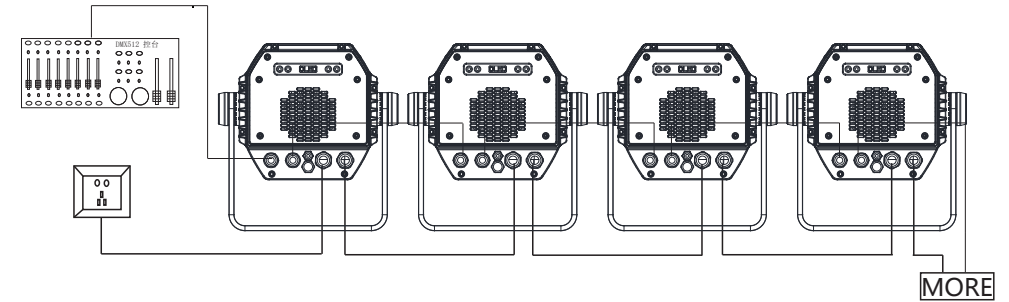
Beam Angle: 44°  
FULL on

Project Distance(m)  
luminance(lux)



Luminance(Lux)	Diameter	ø74.6cm	ø224cm	ø373.3cm	ø522.2cm	ø746cm
44°	Distance	1m	3m	5m	7m	10m
	CW	7875	875	315	160.7	78.7

**DMX/Power Connections and DMX address code setting**

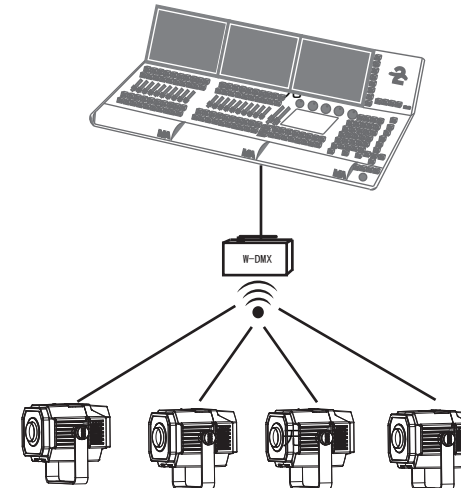


DMX MODE	1st Fixture	2nd Fixture	3rd Fixture	4th Fixture
8 channel	001	009	017	025
14 channels	001	015	029	043

**WIRELESS TO DMX FUNCTION ACTIVATION**

Steps for activating wireless to dmx function:

- Press ENTER
- Scroll through the menu using UP/DOWN
- Select CONNECT then press ENTER
- Use UP/DOWN to scroll to WIRELESS then press ENTER
- Use UP/DOWN to select WIRELESS TO DMX then press ENTER
- Press the left arrow key to return to the main menu



**SYMBOL LEGEND for WIRELESS SIGNAL**

- 📶 X Wireless set to OFF in menu
- 📶 Connected with transmitter
- 📶 Flashing: Pairing with transmitter  
Continuous: No previously connected transmitter found
- 📶 No wireless connection  
Free to connect with any transmitter
- 📶 X Connection lost