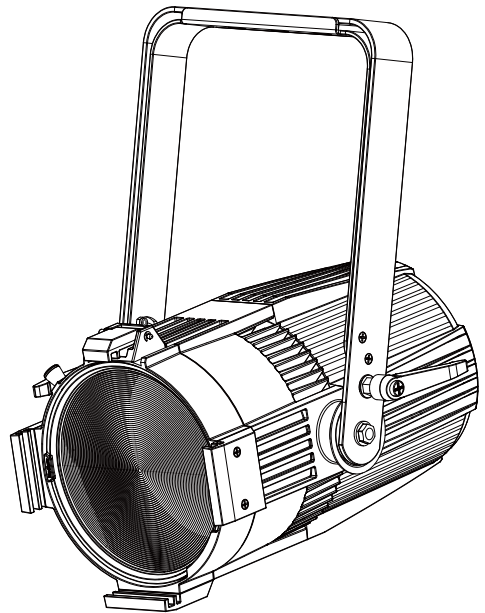


EK

epar ^{WW} *MULTI*

Warm White COB LED PAR
with interchangeable
12-, 24- and 65-degree lenses



USER MANUAL

EN

TABLE OF CONTENTS

SAFETY / GENERAL INSTRUCTIONS

INTRODUCTION

Features

Specifications

OVERVIEW

Front view

Rear view

DIMENSIONS

FUNCTION MENU

DMX FUNCTION CHART

1-channel mode

2-channel mode

3-channel mode

6-channel mode

OPERATION

PHOTOMETRICS

FUSE REPLACEMENT

PACKING CONTENT


- EPAR MULTI WW
- 1 x 12° Fresnel lens
- 1 x 24° Fresnel lens
- 1 x 65° Fresnel lens
- Power cord
- User manual
- Warranty Card

WARNING! Before carrying out any operations with the unit, carefully read this instruction manual and keep it with care for future reference. It contains important information about the installation, usage and maintenance of the unit.



SAFETY

General instruction

- The products referred to in this manual conform to the European Community Directives and are therefore marked with CE.
- The unit is supplied with hazardous network voltage (230V~). Leave servicing to skilled personnel only. Never make any modifications on the unit not described in this instruction manual, otherwise you will risk an electric shock.
- Connection must be made to a power supply system fitted with efficient earthing (Class I appliance according to standard EN 60598-1). It is, moreover, recommended to protect the supply lines of the units from indirect contact and/or shorting to earth by using appropriately sized residual current devices.
- The connection to the main network of electric distribution must be carried out by a qualified electrical installer. Check that the main frequency and voltage correspond to those for which the unit is designed as given on the electrical data label.
- This unit is not for home use, only professional applications.
- Never use the fixture under the following conditions:
 - in places subject to vibrations or bumps;
 - in places with a temperature of over 45°C.
- Make certain that no inflammable liquids, water or metal objects enter the fixture.
- Do not dismantle or modify the fixture.
- All work must always be carried out by qualified technical personnel. Contact the nearest sales point for an inspection or contact the manufacturer directly.
- If the unit is to be put out of operation definitively, take it to a local recycling  plant for a disposal which is not harmful to the environment.

Warnings and installation precautions

- This equipment is reserved for professional use. It is not intended for domestic use.
- The unit for indoor use only. To prevent or reduce the risk of electrical shock or fire, do not expose the unit to rain or moisture.
- If this device will be operated in any way different to the one described in this manual, it may suffer damage and the guarantee becomes void. Furthermore, any other operation may lead to dangers like short circuit, burns, electric shock, etc.
- Always inspect the mechanical and electrical parts of EPAR equipment before fitting to check they are not damaged. Do not operate the product if you see damage. If the part is damaged, it has to be replaced by a qualified technician.
- Don't connect the device to a dimmer pack.
- Before starting any maintenance work or cleaning the fixture, cut off power from the main supply.
- Never attach to product other equipment different EPAR accessories.
- Never let the power-cord come into contact with other cables! Handle the power-cord and all connections with the mains with particular caution!
- Never remove warning or informative labels from the unit.
- Do not shake the device. Avoid brute force when installing or operating the device.
- Make sure that the device is not exposed to extreme heat, moisture or dust.
- Keep any inflammable material at a safe distance from the fixture.
- Make sure that the power-cord is never crimped or damaged. Check the device and the power cord from time to time. If the external cable is damaged, it has to be replaced by a qualified technician.

INTRODUCTION

The EPAR MULTI WW is a Warm White COB LED PAR with multiple lens options and highly accurate color rendering.

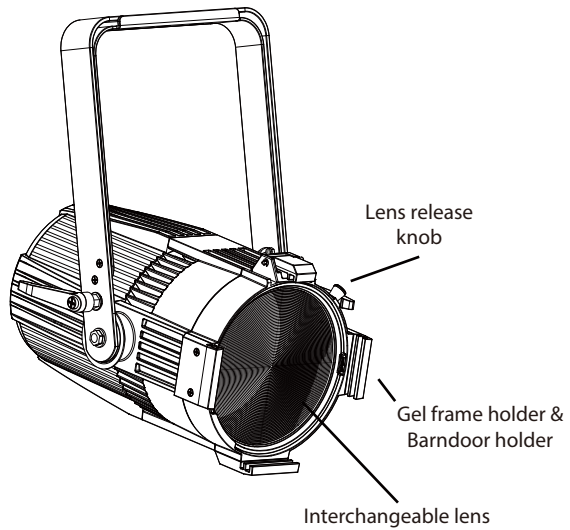
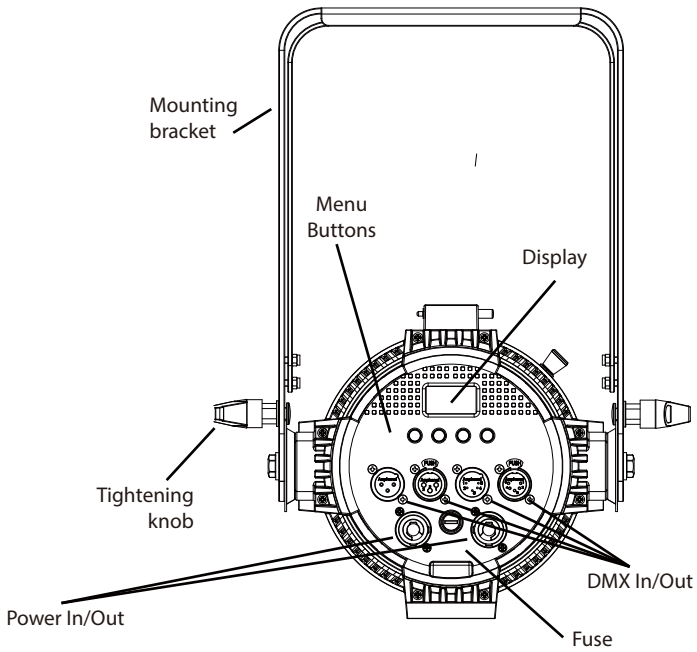
FEATURES

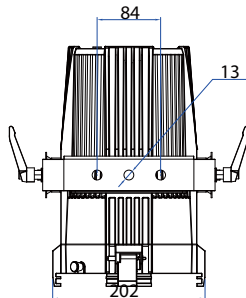
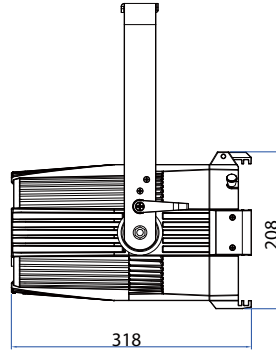
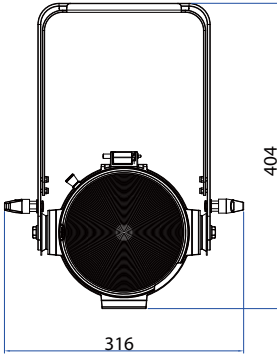
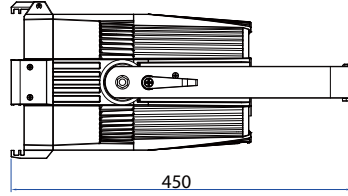
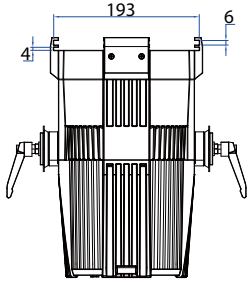
- 3200K Chip On Board LED
- Detachable lenses for choice of narrow, medium or wide beam angles
- Quiet operation suitable for studio use
- Flicker-free output with selectable PWM frequencies for worry-free video
- Ultra-linear dimming technology with 4 selectable dimming curves
- Double mounting bracket allows fixture to be flown or floor-mounted
- Optional barndoors, egg crates and media holders
- Power linking (Truecon In/Out)
- 3-pin and 5-pin DMX In/Out
- Rugged die-cast body
- DMX and RDM control with optional W-DMX

SPECIFICATIONS

Light Source:	3200K COB LED
Beam Angle:	12° / 24° / 65°
Field Angle:	24° / 40° / 95°
Output (luminous flux):	12000 lm
Color Rendering:	CRI > 98 / R9 > 95
Strobe:	0-30 Hz
PWM Frequency options:	600 / 1200 / 2000 / 4000 / 6000 Hz or 25 KHz
Dimming:	4 dimming curve modes
Control:	DMX, RDM (optional W-DMX)
DMX Channels:	1 / 2 / 3 / 6
Display:	OLED function menu with 4 touch buttons
Mains:	100V-240V 50/60 Hz (auto-ranging)
Consumption:	207W
Power connections:	Truecon In/Out
Data connections:	3-pin and 5-pin XLR In/Out for DMX
Housing Material:	Diecast aluminum
Finish:	Matte black
IP rating:	IP20
Cooling:	Active (variable speed fan with silent mode)
Dimensions:	450 x 316 x 208 mm
Weight:	5.6 KG

OVERVIEW



DIMENSIONS

FUNCTION MENU

Main Menu	Submenu	Submenu	Defaults
DMX Address	<001>		Default: 001
DMX Channel	1Ch		Default: 6Ch
	2Ch		
	3Ch		
	6Ch		
Static	Dimmer	<0-255>	Default: Dimmer=255, Strobe=0
	Strobe	<0-255>	
Auto Show	Auto 1	<1-100>	Default: Auto 1; Speed:100
	Auto 2	<1-100>	
	Auto 3	<1-100>	
Master/Slave	Master		Default: Slave
	Slave		
Dimmer Mode	Off		Default: OFF
	Dimmer 1		
	Dimmer 2		
	Dimmer 3		

FUNCTION MENU

Main Menu	Submenu	Submenu	Defaults
LED Frequency	600Hz		Default: 1200Hz
	1200Hz		
	2000Hz		
	4000Hz		
	6000Hz		
	25KHz		
Fan Mode	Auto		Default: Auto
	On		
	OFF		
	Silent		
Back Light	On		Default: On
	10S		
	20S		
	30S		
Information	Fixture Hours	<9999>	
	Version	<V1.0>	
	UID <030F03F*****>		
Reset Factory	No		
	Yes		

DMX CHART

1CH	Function	Value	Percent/Setting
1	Dimmer	000-255	0 - 100%

2CH	Function	Value	Percent/Setting
1	Dimmer	000-255	0 - 100%
2	Dimmer Fine	000-255	0 - 100%

3CH	Function	Value	Percent/Setting
1	Dimmer	000-255	0 - 100%
2	Dimmer Fine	000-255	0 - 100%
3	Strobe	000-010	NO Function
		011-255	Strobe Slow to Fast

6CH	Function	Value	Percent/Setting
1	Dimmer	000-255	0 - 100%
2	Dimmer Fine	000-255	0 - 100%
3	Strobe	000-010	NO Function
		011-255	Strobe Slow to Fast
4	Auto programs	000-010	No Function
		011-085	Auto Program 1
		086-170	Auto Program 2
		171-255	Auto Program 3
5	Auto Speed	000-255	Speed slow to fast
6	Dimmer Speed Mode (hold 3 seconds to override menu setting)	000-051	Preset dimmer speed from display menu
		052-101	Dimmer speed mode off
		102-152	Dimmer speed mode 1 (fast speed)
		153-203	Dimmer speed mode 2 (medium speed)
		204-255	Dimmer speed mode 3 (slow speed)

OPERATION

DMX ADDRESS & DMX CHANNEL

Press MENU, use UP or DOWN to find the desired menu item, press ENTER
Set the fixture's starting address and select mode (1-, 2-, 3- or 6-channel)
Press UP or DOWN to select values, press ENTER to confirm

STATIC

Set dimmer and strobe values.

AUTO SHOW

Choose a pre-programmed show and set its playback speed.

MASTER/SLAVE

Assign the first fixture in a daisy-chain to act as Master to synchronize multiple units.

DIMMER MODE

Select a dimming curve to set dimming behavior (linear / fast / medium / slow).

LED FREQUENCY

Select the appropriate PWM frequency to achieve flicker-free video reproduction.

FAN MODE

Choose from four fan modes: Auto (fan will automatically adjust speed according to internal operating temperature), On (always on), Off (always off), Silent

WIRELESS SETTING

In fixtures that include a W-DMX receiver:

Select ON to activate wireless capability

Select Receive Reset and choose YES to pair the fixture with a wireless transmitter.

BACK LIGHT

Set display behavior: On (always on), or auto blackout after 10, 20 or 30 seconds.

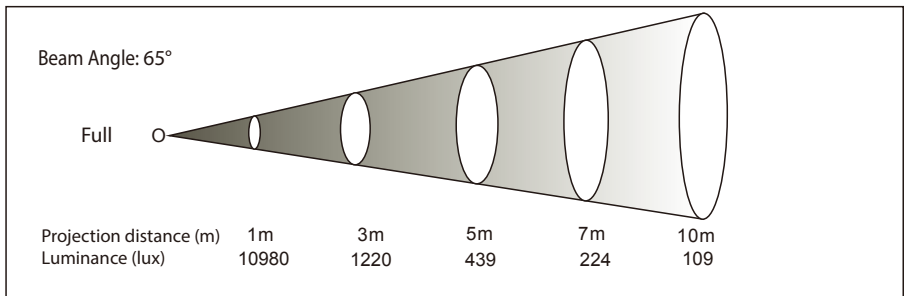
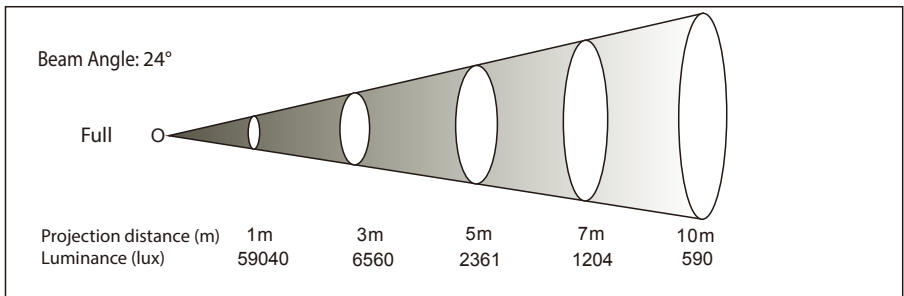
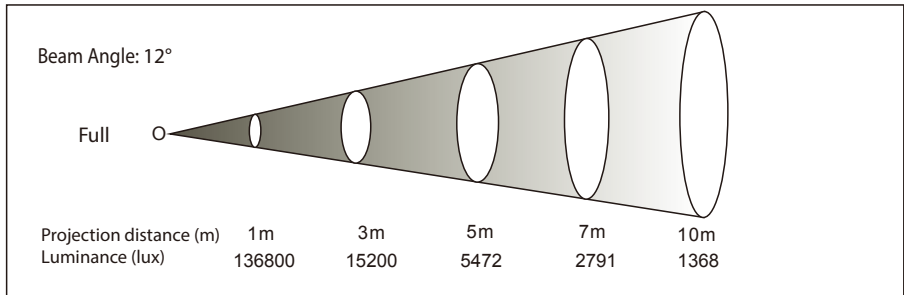
INFORMATION

View total fixture operating hours, software version, and unique RDM identifier

FACTORY RESET

Select YES to return the fixture to default factory settings.

PHOTOMETRICS



FUSE REPLACEMENT

1. Disconnect this product from the power outlet.
2. Using a screwdriver, unscrew the fuse holder cap from the housing.
3. Remove the blown fuse and replace with a good fuse of the same type and rating (T3.15A/250V).
4. Screw the fuse holder cap back in place and reconnect power.



EKINC.

Address: NO.55 Zhongzhun Road, Cuiheng New District, Zhongshan City, Guangdong Province

Phone: 0086 (0760) 88280099

www.eklights.com